



RF Components

# L-Band Attenuator

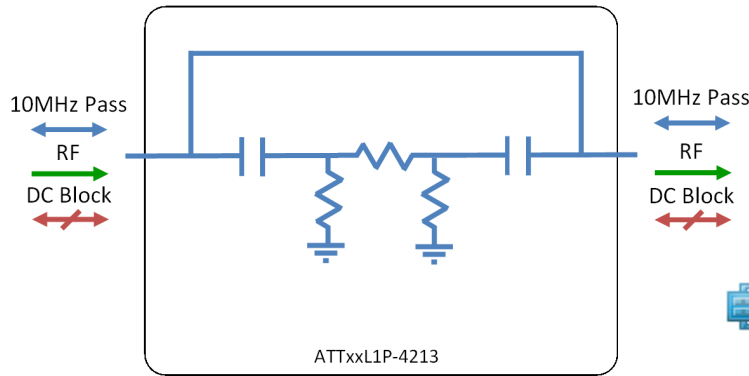
## 850-2150MHz

Model Number:  
**ATTxxL1P-4213**

- Tubular Attenuators
- Available with 3, 6, 10 or 20 dB attenuation.
- DC blocked, un-attenuated 10MHz pass.

Available with RF connector options:

- 50 Ω SMA
- 50 Ω N-type
- 50 Ω BNC
- 75 Ω BNC
- 75 Ω F-type.



**Compact**  
Housed in rugged compact enclosure



**850-2150 MHz**  
Operating frequency range. L-Band ready

# Attenuator

RF Parameters						
ATT03L1P-4213-xxxx	S5S5	N5N5	B5B5	B7B7	F7F7	
Frequency Range	850 - 2150 MHz					
RF Connectors	50Ω SMA	50Ω N-Type	50Ω BNC	75Ω BNC	75Ω F-Type	
Attenuation (dB)	3 ± 0.5	3 ± 0.5	3 ± 0.5	3 ± 0.8	3 ± 0.8	
Flatness ± (dB)	0.5	0.5	0.5	0.5	0.5	
Input Return Loss (dB)	Typ	18	18	16	12	12
	Min	14	14	12	8	8
Output Return Loss (dB)	Typ	18	18	16	12	12
	Min	14	14	12	8	8

### Broadcast



### Marine Oil & Gas



### SNG & VSAT



### Satellite Teleport





RF Components

Model Number:  
**ATTxxL1P-4213**  
L-Band Attenuator

RF Parameters						
ATT06L1P-4213-xxxx	S5S5	N5N5	B5B5	B7B7	F7F7	
Frequency Range	850 - 2150 MHz					
RF Connectors	50Ω SMA	50Ω N-Type	50Ω BNC	75Ω BNC	75Ω F-Type	
Attenuation (dB)	6 ± 0.5	6 ± 0.5	6 ± 0.5	6 ± 0.8	6 ± 0.8	
Flatness ± (dB)	0.5	0.5	0.5	0.5	0.5	
Input Return Loss (dB)	Typ	18	18	16	12	12
	Min	14	14	12	8	8
Output Return Loss (dB)	Typ	18	18	16	12	12
	Min	14	14	12	8	8

RF Parameters						
ATT10L1P-4213-xxxx	S5S5	N5N5	B5B5	B7B7	F7F7	
Frequency Range	850 - 2150 MHz					
RF Connectors	50Ω SMA	50Ω N-Type	50Ω BNC	75Ω BNC	75Ω F-Type	
Attenuation (dB)	10 ± 0.8	10 ± 0.8	10 ± 0.8	10 ± 1.3	10 ± 1.3	
Flatness ± (dB)	0.5	0.5	0.5	0.5	0.5	
Input Return Loss (dB)	Typ	18	18	16	12	12
	Min	14	14	12	8	8
Output Return Loss (dB)	Typ	18	18	16	12	12
	Min	14	14	12	8	8

RF Parameters						
ATT20L1P-4213-xxxx	S5S5	N5N5	B5B5	B7B7	F7F7	
Frequency Range	850 - 2150 MHz					
RF Connectors	50Ω SMA	50Ω N-Type	50Ω BNC	75Ω BNC	75Ω F-Type	
Attenuation (dB)	20 ± 0.8	20 ± 0.8	20 ± 0.8	20 ± 1.3	20 ± 1.3	
Flatness ± (dB)	0.5	0.5	0.5	0.5	0.5	
Input Return Loss (dB)	Typ	18	18	16	12	12
	Min	14	14	12	8	8
Output Return Loss (dB)	Typ	18	18	16	12	12
	Min	14	14	12	8	8

**Broadcast**



**Marine Oil & Gas**



**SNG & VSAT**



**Satellite Teleport**





RF Components

Model Number:  
**ATTxxL1P-4213**  
L-Band Attenuator

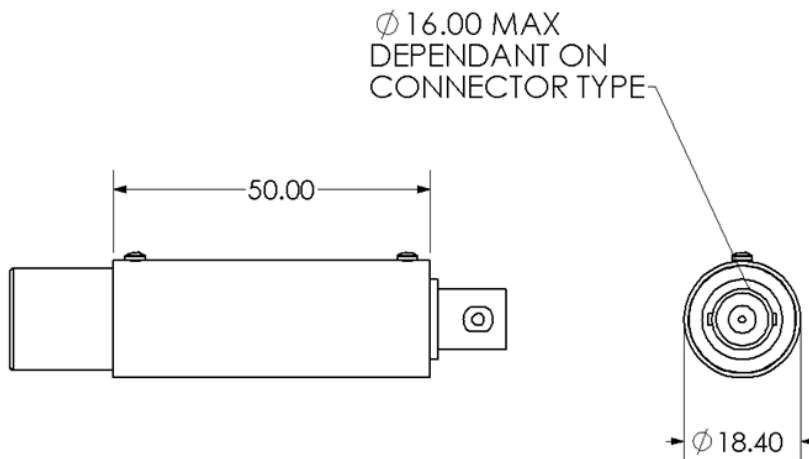
### Technical specifications and operating parameters

Environmental		
Operating Temperature		0°C to +45°C
Storage Temperature		-20°C to +75°C
Location		Indoor use Only
Humidity	Max	85% non-condensing
Altitude	Max	10,000 feet

Max Operating Parameters	
Input RF Power	+21 dBm (125mW)
DC Voltage	35V on any RF port

**!** Operation beyond these limits may cause instantaneous and permanent damage.

### Physical Dimensions (mm)



Note: The specification is subject to regular reviews and will be updated from time to time as part of our continuing product development and improved specification accuracy.

ETL SYSTEMS LIMITED  
Coldwell Radio Station  
Madley  
Hereford  
England HR2 9NE

TELEPHONE  
+44 (0)1981 259020  
  
EMAIL  
info@etlsystems.com

FACSIMILE  
+44 (0)1981 259021  
  
WEB  
www.etlsystems.com

